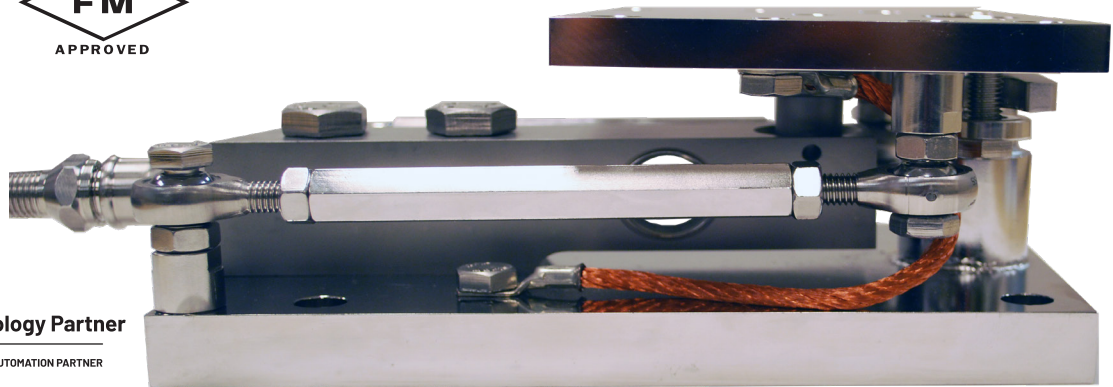


OneMount™ Advantage® Lite Shear Beam Load Points

OneMount HI ONELP Load Points with HI SB05 Shear Beam Sensors



SILVER
Technology Partner
A ROCKWELL AUTOMATION PARTNER



The Hardy OneMount™ with Advantage® Lite shear beams are specifically built to save customers time and money during installation, calibration, and maintenance. Each load point provides extraordinary flexibility and durability in most industrial environments. Each feature of the load point was intentionally designed based on nearly 100 years of process weighing experience, delivering a best-in-class measurement system for tank, vessel, and hopper weighing applications.

Accuracy

- Self-centering rocker design maintains alignment under considerable shear forces
- Precision sensor (combined error 0.02% rated output) from 1,125 lbs – 22,500 lbs
- Optional Dynamic Stabilization Rods can be purchased to reduce vibration noise on the sensor for better resolution

Safety

- Liftoff and side force ratings are confirmed by third party destructive testing
- Potted sensors provide economical options for installations that only require IP67 ingress protection
- C2® electronic calibration reduces the risk of accidents or contamination from test weights

Easy Installation

- Integral spacers can carry the full rated capacity without the load cell installed, eliminating the need for expensive dummy load cells or welding fixtures.
- Once mounts are installed, the load cells slide into place. With minimal tank jacking (1/8"), the spacers are removed for a live load point.
- 360° checking mechanism means load points can be installed in any direction
- C2® electronic calibration for fast startup in high capacity installations

Easy Maintenance

- Replace load cells with minimal tank jacking (1/8").
- Matched mV/V/ohm load cells are easy to replace without recalibration

User Benefits

- OEE improvement from consistent, accurate performance, and reduced installation and maintenance time.
- Reduced capital investment and labor typically associated with dummy load cells and welding fixtures.
- Reduced complexity of system selection and installation from a single, universal design

All information and drawings on these pages are subject to change without notice. Consult website for latest specifications.

HI SB05 ADVANTAGE® Load Sensor

| SPECIFICATIONS | Units | HI SB05 | HI SB05 |
|--------------------------------------------|-------------------|------------------------------------|---------------------------------|
| Maximum Capacity (E _{max}) | klbs | 1.125k / 2.25k / 4.5k / 11.25 klbs | 22.5 klbs |
| Max number verification intervals | n _{max} | 3000 | N/A |
| Min load cell verification interval | v _{min} | E _{max} / 11000 | N/A |
| Combined Error | %RO | ± 0.0200 | ± 0.0500 |
| Non-Linearity | %RO | ± 0.0166 | ± 0.0400 |
| Hysteresis | %RO | ± 0.0166 | ± 0.0400 |
| Creep error (30 Minutes) / DR | %RO | ± 0.0166 | ± 0.0600 |
| Temperature effect on min dead load output | %RO/10°C | ± 0.0127 | ± 0.0400 |
| Temperature effect on sensitivity | %RO/10°C | ± 0.0100 | ± 0.0200 |
| Non-Repeatability | %RO | Not Specified | Not Specified |
| Rated Output (RO) | mV/V | 2 ± 0.1% | 2 ± 0.1% |
| Calibration in mV/V/Ω | | Matched | Matched |
| Zero Balance | %RO | ± 5 | ± 5 |
| Excitation Voltage | V | 5-15 | 5-15 |
| Input Resistance | Ω | 1100 ± 50 | 1100 ± 50 |
| Output Resistance | Ω | 1000 ± 2 | 1000 ± 2 |
| Insulation resistance (100VDC) | MΩ | ≥ 5000 | ≥ 5000 |
| Load Cell Safe Load Limit | %E _{max} | 200 | 200 |
| Load Cell Ultimate Load Limit | %E _{max} | 300 | 300 |
| Load Cell Safe Side Load | %E _{max} | 100 | 100 |
| Maximum Platform Size | N/A | N/A | N/A |
| Compensated Temperature Range | °C | -10 ... ± 40 | -10 ... ± 40 |
| Operating Temperature Range | °C | -20 ... ± 65 | -20 ... ± 65 |
| Load Cell Material | | Stainless Steel 17-4PH (1.4548) | Stainless Steel 17-4PH (1.4548) |
| Sealing | | Potted | Potted |
| Protection according to EN 60 529 | | IP67 | IP67 |
| Cable Length | ft | 20 ft | 20 ft |
| Hazardous Certification | | IS Class 1,2,3 Div 1 | IS Class 1,2,3 Div 1 |
| Legal For Trade | | N/A | N/A |

HI ONEMT OneMount™

| SPECIFICATIONS | Units | HI ONEMT | | |
|----------------------------|------------|------------------------------------------------------------------|---------|---------|
| Capacity | lb | 1125lb - 4500lb | 11250lb | 22500lb |
| Rated Liftoff Force | lb | 2250 | 5625 | 11250 |
| Rated Overload | lb | 6750 | 16875 | 33750 |
| Rated Side Force | lb | 4500 | 11250 | 22500 |
| Weight Excluding Load Cell | lb | 9 | 24 | 43 |
| Material | Metallurgy | Electropolished Stainless Steel / Stainless Steel / Plated Steel | | |
| Levelling Required | | 0.4/100 (legal for trade), 0.8/100 (general applications) | | |

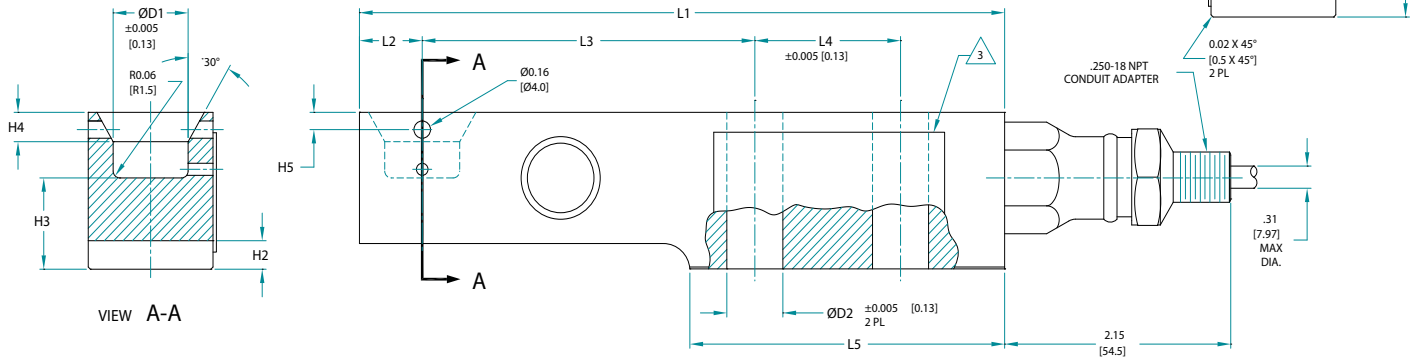
| | |
|----------------------------------------------------------------------------------|--------|
| C2 WIRE COLOR CODE FLAG LABEL IS FOUND APPROX. 10 IN. FROM END OF SENSOR'S CABLE | |
| EXCITATION + | RED |
| EXCITATION - | BLACK |
| SIGNAL + | GREEN |
| SIGNAL - | WHITE |
| C2 + | GRAY |
| C2 - | VIOLET |
| SHIELD | YELLOW |

WARNING: NEVER cut a load sensor cable

DIMENSIONS- INCHES & [mm]

TOLERANCES: ±0.010 [0.25] UNLESS OTHERWISE STATED

| CAPACITY LBS [KN] | L1 | L2 | L3 | L4 | L5 | L6 | H1 | H2 | H3 | H4 | H5 | H6 | W1 | ØD1 | ØD2 | BOLT Δ | TORQUE |
|-------------------------------------|-----------------|----------------|-----------------|----------------|-----------------|----------------|----------------|----------------|----------------|----------------|---------------|----------------|----------------------------|-----------------|----------------|----------------------------------|-----------------------|
| 1125 [5] 2.25K [10] 4.5K [20] | 6.10 [155.0] | 0.59 [15.0] | 3.15 [80.0] | 1.38 [35.0] | 2.98 [75.7] | 0.59 [15.0] | 1.42 [36.0] | 0.23 [5.8] | 0.83 [21.0] | 0.27 [6.9] | 0.16 [4.1] | 0.59 [15.0] | 1.181±0.003 [30.0±0.08] | 0.709 [18.0] | 0.53 [13.5] | .500-20 UNC GRADE 5 [M12 8.8] | 65 FT LBS [90Nm] |
| 11.25K [50] | 7.48 [190.0] | 0.83 [21.0] | 4.13 [105.0] | 1.57 [40.0] | 3.66 [93.0] | 0.67 [17.0] | 1.93 [49.0] | 0.31 [8.0] | 1.12 [28.5] | 0.24 [6.0] | 0.31 [8.0] | 0.89 [22.5] | 1.693±0.003 [43.0±0.08] | 0.984 [25.0] | 0.83 [21.0] | .750-10 UNC GRADE 5 [M20 8.8] | 295 FT LBS [400Nm] |
| 22.5K [100] | 9.65 [245.0] | 1.18 [30.0] | 5.31 [135.0] | 1.97 [50.0] | 4.72 [120.0] | 0.73 [18.5] | 2.87 [73.0] | 0.49 [12.5] | 1.65 [42.0] | 0.39 [10.0] | N/A | 1.22 [31.0] | 2.362±0.005 [60.0±0.13] | 1.181 [30.0] | 1.06 [27.0] | 1.000-8 UNC GRADE 5 [M24 8.8] | 515 FT LBS [700Nm] |

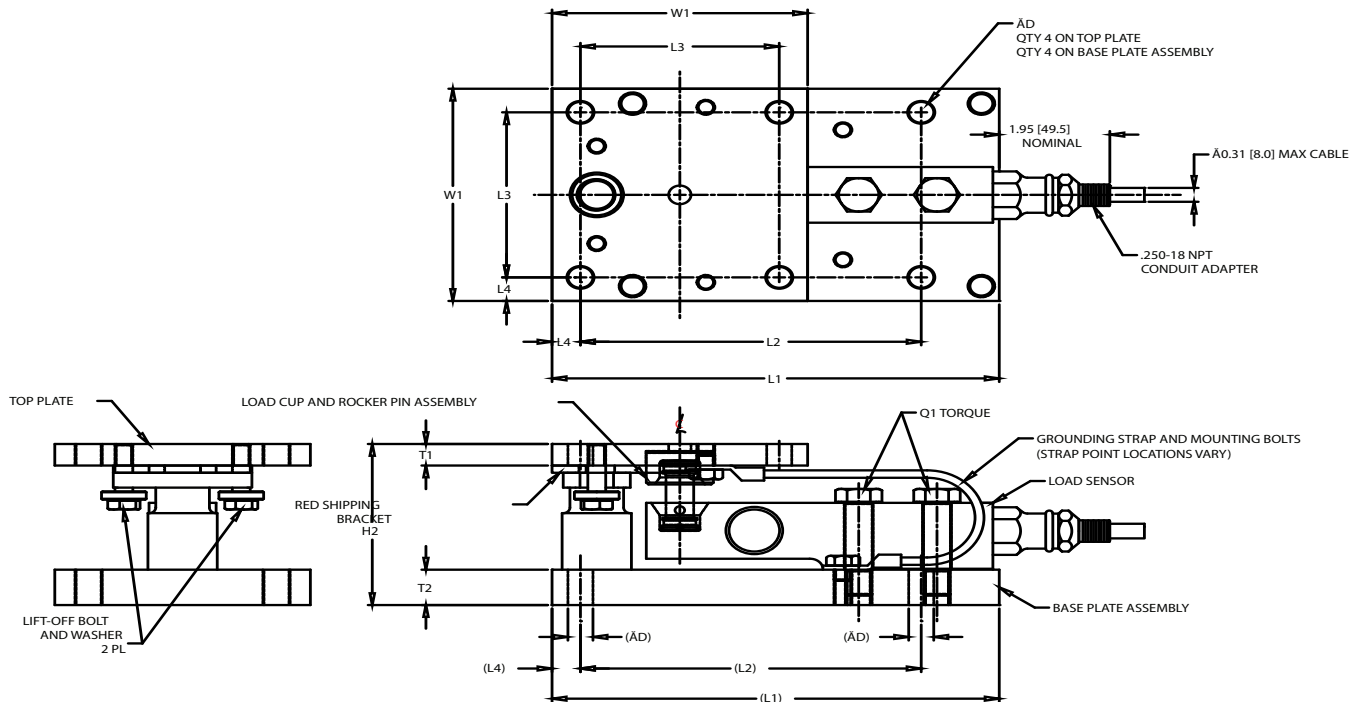


HI ONEMT Mounts

DIMENSIONS- INCHES & [mm]

TOLERANCES: ±0.015 [0.38] UNLESS OTHERWISE STATED

| CAPACITY LBS [KN] | L1 | L2 | L3 | L4 | W1 | T1 | T2 | H1 | H2 | ØD | MOUNT SCREW | WELD X | WELD Y | MAX LIFT- OFF FORCE | Q1 TORQUE LB-FT [NM] | Q2 TORQUE LB-FT [NM] |
|----------------------|------------------|--------------------|-------------------|----------------|-----------------|----------------|----------------|-----------------|-----------------|------------------|--------------------------|--------------|--------------|------------------------|-------------------------|-------------------------|
| 1125 LB [5KN] | 7.87 [200.0] | 6.000 [152.40] | 3.500 [88.90] | 0.50 [12.7] | 4.50 [114.3] | 0.46 [11.6] | 0.75 [19.0] | 3.42 [86.8] | 3.51 [89.2] | 0.441 [11.20] | 3/8-16 OR M10 DIN 8.8 | 0.2 [5.0] | 0.2 [5.0] | 5.05 T [45KN] | 66 LB-FT [90NM] | 65 LB-FT [43NM] |
| 2.25 KLB [10KN] | | | | | | | | | | | | | | | | |
| 4.5 KLB [20KN] | | | | | | | | | | | | | | | | |
| 11.25 KLB [50KN] | 10.08 [256.0] | 7.250 [184.15] | 4.000 [101.60] | 0.91 [23.2] | 5.83 [148.0] | 0.71 [18.0] | 0.94 [24.0] | 4.35 [110.6] | 4.53 [115.0] | 0.689 [17.50] | 5/8-11 OR M16 DIN 8.8 | 0.2 [5.0] | 0.2 [5.0] | 8.43 T [75KN] | 295 LB-FT [400NM] | 133 LB-FT [180NM] |
| 22.5 KLB [100KN] | 13.98 [355.0] | 10.630 [270.00] | 5.118 [130.00] | 0.94 [24.0] | 7.01 [178.0] | 0.94 [24.0] | 1.14 [29.0] | 6.06 [154.0] | 6.20 [157.6] | 0.866 [22.00] | 3/4-10 OR M20 DIN 8.8 | 0.3 [8.0] | 0.3 [8.0] | 11.8 T [105KN] | 516 LB-FT [700NM] | 273 LB-FT [370NM] |



OneMount™ and Advantage® Lite Shear Beam Ordering Information



| Load Point Assembly (Stainless Steel IP67 Sensor and Stainless Steel Mount) | | | | | |
|-----------------------------------------------------------------------------|-------------|-------------------|----------------------------|---------------|------------------------|
| Capacity Klbs | Capacity kN | Load Point Part # | Load Point Shipping Weight | Sensor Part # | Sensor Shipping Weight |
| 1.125 | 5 | HIONELP-1125-SS | 12 lb | HISB05-1125 | 3.6 lb |
| 2.25 | 10 | HIONELP-2.25K-SS | 12 lb | HISB05-2.25K | 3.6 lb |
| 4.5 | 20 | HIONELP-4.5K-SS | 12 lb | HISB05-4.5K | 3.6 lb |
| 11.25 | 50 | HIONELP-11.25K-SS | 30 lb | HISB05-11.25K | 6.65 lb |
| 22.5 | 100 | HIONELP-22.5K-SS | 60 lb | HISB05-22.5K | 17 lb |

| Load Point Assembly (Stainless Steel IP67 Sensor and Alloy Steel Mount) | | | | | |
|-------------------------------------------------------------------------|-------------|-------------------|----------------------------|---------------|------------------------|
| Capacity Klbs | Capacity kN | Load Point Part # | Load Point Shipping Weight | Sensor Part # | Sensor Shipping Weight |
| 1.125 | 5 | HIONELP-1125-AS | 12 lb | HISB05-1125 | 3.6 lb |
| 2.25 | 10 | HIONELP-2.25K-AS | 12 lb | HISB05-2.25K | 3.6 lb |
| 4.5 | 20 | HIONELP-4.5K-AS | 12 lb | HISB05-4.5K | 3.6 lb |
| 11.25 | 50 | HIONELP-11.25K-AS | 30 lb | HISB05-11.25K | 6.65 lb |
| 22.5 | 100 | HIONELP-22.5K-AS | 60 lb | HISB05-22.5K | 17 lb |

| Load Point Assembly (Stainless IP67 Sensor and Electropolished Stainless Steel Mount) | | | | | |
|---------------------------------------------------------------------------------------|-------------|-------------------|----------------------------|---------------|------------------------|
| Capacity Klbs | Capacity kN | Load Point Part # | Load Point Shipping Weight | Sensor Part # | Sensor Shipping Weight |
| 1.125 | 5 | HIONELP-1125-ES | 12 lb | HISB05-1125 | 3.6 lb |
| 2.25 | 10 | HIONELP-2.25K-ES | 12 lb | HISB05-2.25K | 3.6 lb |
| 4.5 | 20 | HIONELP-4.5K-ES | 12 lb | HISB05-4.5K | 3.6 lb |
| 11.25 | 50 | HIONELP-11.25K-ES | 30 lb | HISB05-11.25K | 6.65 lb |
| 22.5 | 100 | HIONELP-22.5K-ES | 60 lb | HISB05-22.5K | 17 lb |

| Mount Ordering Information | | | | | |
|----------------------------|-------------|------------------------------|--------------------------|------------------------------------|---------------|
| Sensor Capacity Klbs | Capacity kN | Mount Part # Stainless Steel | Mount Part # Alloy Steel | Mount Part # Electropolished Steel | Sensor Part # |
| 1.125 | 5 | HIONEMT-4.5KLB-SS | HIONEMT-4.5KLB-AS | HIONEMT-4.5KLB-ES | HISB05-1125 |
| 2.25 | 10 | | | | HISB05-2.25K |
| 4.5 | 20 | | | | HISB05-4.5K |
| 11.25 | 50 | HIONEMT-11.25KLB-SS | HIONEMT-11.25KLB-AS | HIONEMT-11.25KLB-ES | HISB05-11.25K |
| 22.5 | 100 | HIONEMT-22.5KLB-SS | HIONEMT-22.5KLB-AS | HIONEMT-22.5KLB-ES | HISB05-22.5K |

| Optional Dynamic Stabilization Rods | | |
|-------------------------------------|-----------------------|-----------------------|
| | Stainless Steel | Alloy Steel |
| 4.5 | 5504-0074-SS-4.5KLB | 5504-0074-AS-4.5KLB |
| 11.25 | 5504-0074-SS-11.25KLB | 5504-0074-AS-11.25KLB |
| 22.5 | 5504-0074-SS-22.5KLB | 5504-0074-AS-22.5KLB |

Easy Installation Process

1. Align and level the mounts under the vessel without the load cells installed. A 360° checking mechanism ensures accuracy and safety in any orientation.
2. Lower the vessel onto the mounts and weld or bolt the mounts to the foundation and the vessel.
3. Perform any peripheral pipe welding or add any required attachments.
4. Slide the load cell into place and fasten to the bottom plate.
5. Jack the vessel up 1/8" to remove the shipping/installation bracket.
6. Lower the vessel onto the live load point and calibrate using Hardy's C2® weightless calibration.



All information within is subject to change without notice. Visit our website for the latest specifications. OneMount is a trademark of Hardy Process Solutions. WAVERSAVER, C2, IT, ADVANTAGE and ANY-WEIGH are registered trademarks of Hardy Process Solutions. Silver Technology Partner is a trademark of Rockwell Automation. All other trademarks or registered trademarks are the property of their respective owners.

Hardy Process Solutions
 10075 Mesa Rim Road
 San Diego, CA 92121
 tel. +1-858-278-2900
 tel. 800-821-5831
 fax +1-858-278-6700
www.hardysolutions.com
hardyinfo@hardysolutions.com